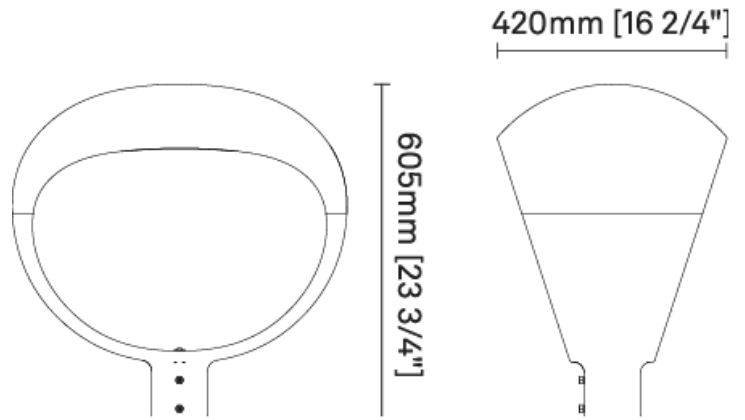


Project location: _____
 Project name: _____

Fixture type: _____ Qty: _____
 Notes: _____

Hydra | Luminaire



Ordering Information / Guide

Example: **PNHYD-U-D45-830-L030-SO-V0-F02-MU-CNO**

Optique	Ra+K	Luminous flux	Screen finish	Power supply	Driver Function	ISO Class	Finish
D45 T5	830 Ra80 3000 K	L030 3000 lm	SO Opal	V0 120V-277V	F02 1-10V+CLO	MU UL	CNO Grey [Neri] Textured
	840 Ra80 4000 K	L040 4000 lm					

Generated code: **PNHYD - U** - _ _ _ _ _ - _ _ _ _ _ - _ _ _ _ _ - _ _ _ _ _ - _ _ _ _ _

Hydra | Luminaire

SOURCE

High-power LED matrix.

Standard Deviation Colour Matching ≤5

LIGHTING CHARACTERISTICS

Modular 2x2 refractive lenses in PMMA.

ELECTRICAL CHARACTERISTICS

Cable type 5GAWG18 SJTW

MECHANICAL CHARACTERISTICS

Structure made of cast aluminium (UNI EN 1706) with semi-oval upper and lower frames, designed respectively for housing the LED module and for mounting on Ø 2.36 in poles.

Internal part in galvanized and painted steel sheet.

LED module integrated into the upper frame with mixing chamber and flat remote-phosphor glass screen for optimal thermal dissipation.

Stainless steel screws.

INSTALLATION

Pole-top mounting on Ø 2-3/8" tubes (with reducing ring) and on Ø 3" tubes (without reducing ring).

Flush-mounted on Ø 3-1/2" tubes.

WARNINGS

Luminaire designed for disposal/recycling at end-of-life.

Replaceable (LED only) light source by a professional.

Replaceable control gear by a professional.

Protection of surfaces: please refer to the specification on painting procedures of the materials.